



WEARPLEX Gamma Workshop: FES applications



Matija Strbac

Tecnalia Serbia, Serbia

17th February 2022



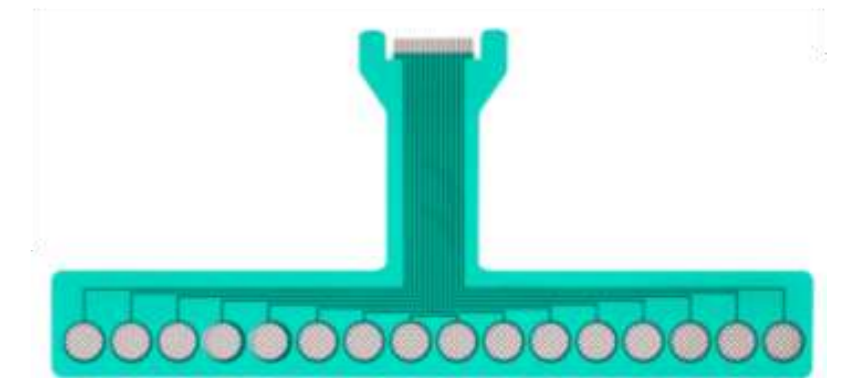
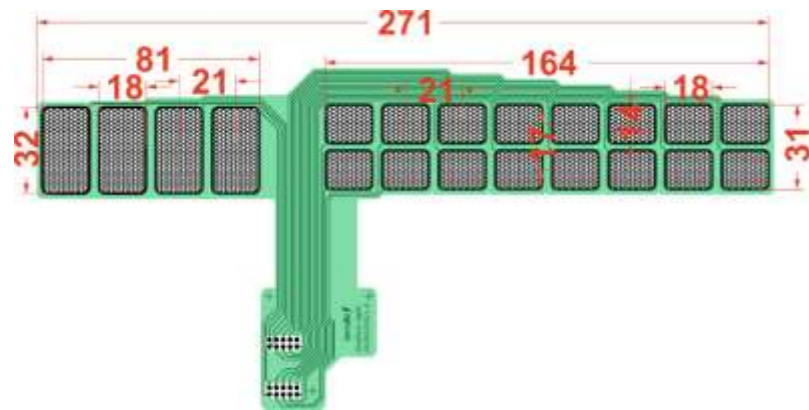
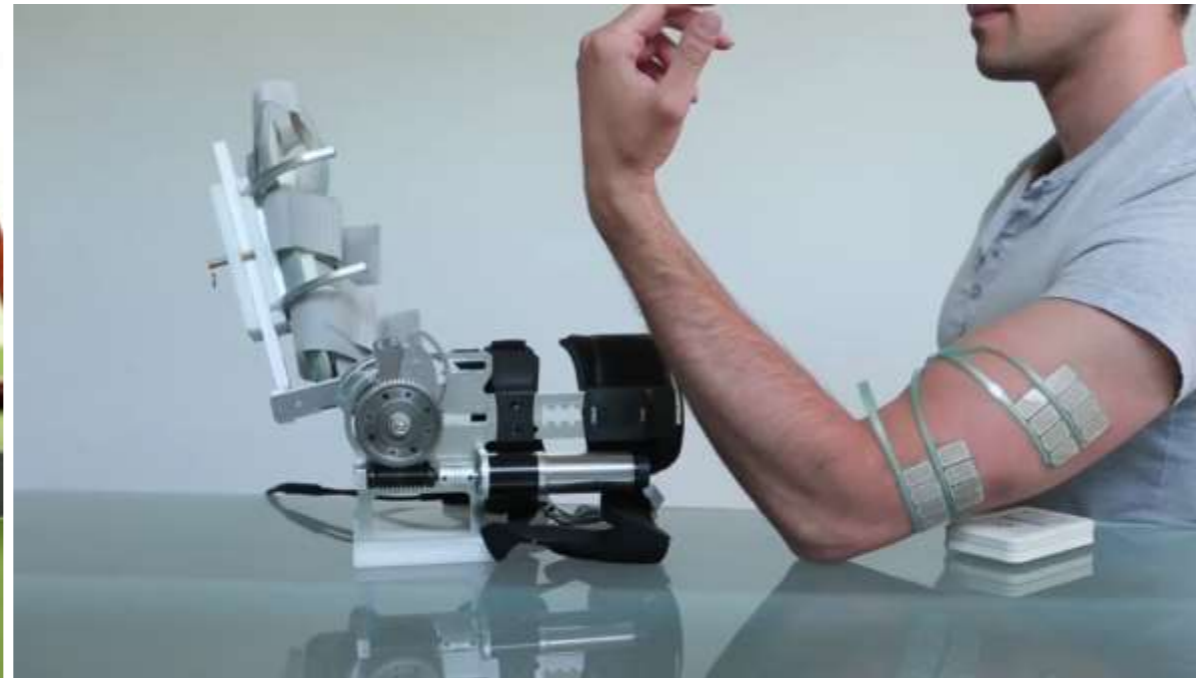


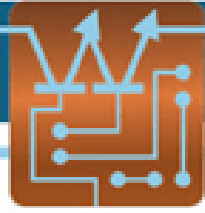
Other examples of multi-pad FES

Dropfoot

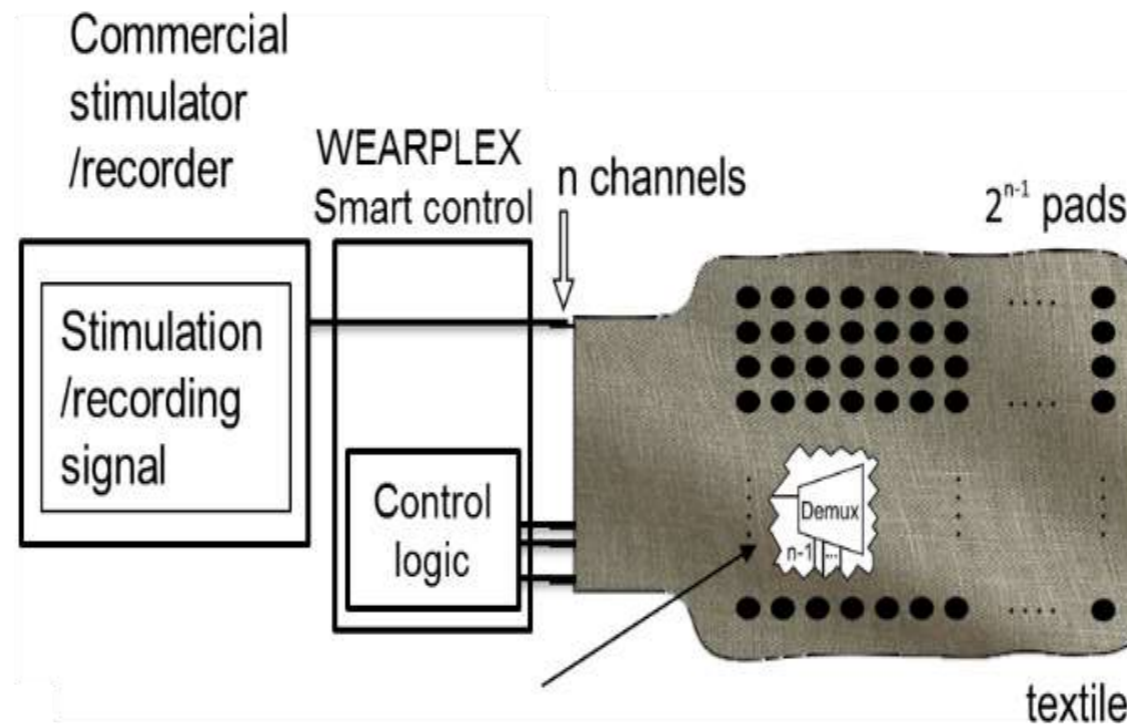
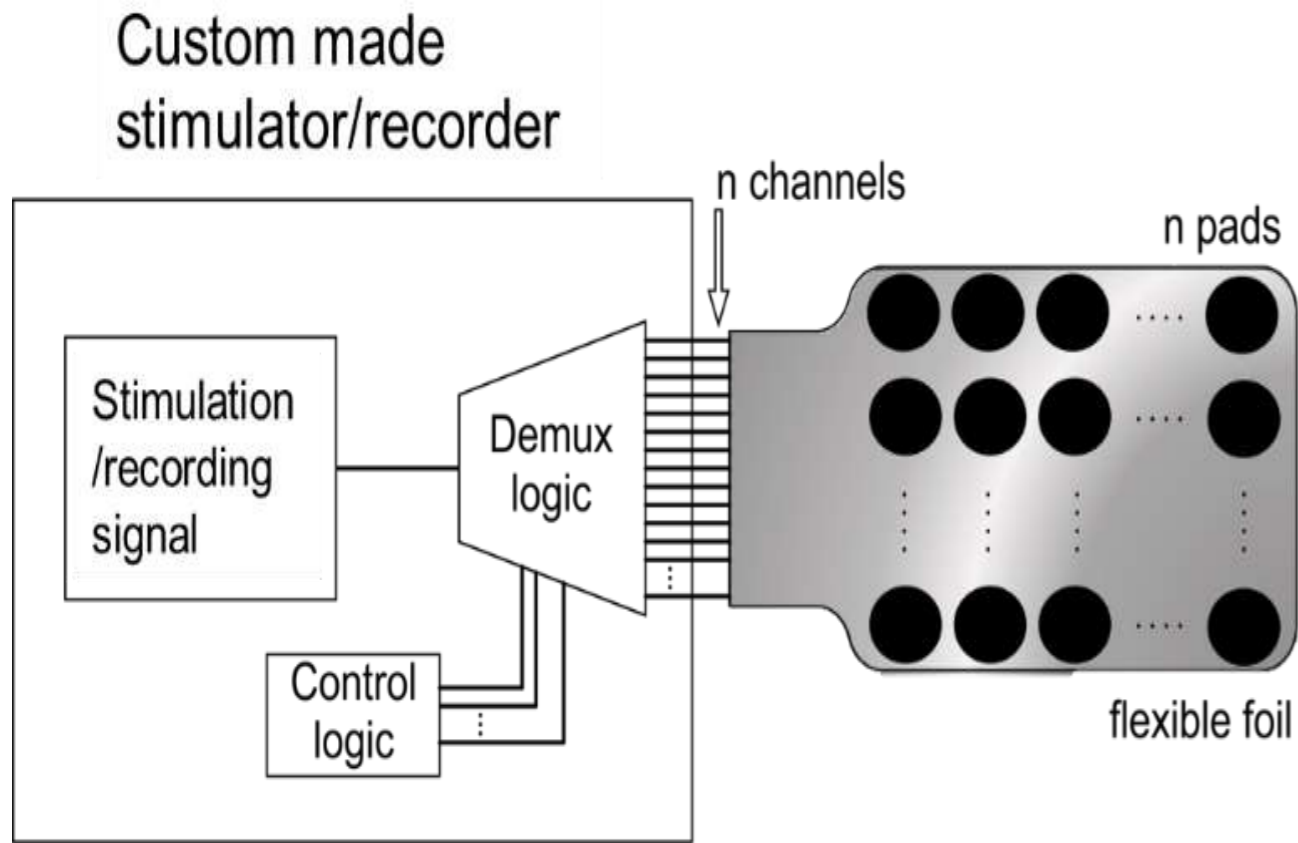
TENS

Electrotactile feedback





WEARPLEX “SMART” Electrodes



Printed electronics demultiplexing logic circuits embedded in the substrate of the electrode



Overcoming the limitations related to high number of leads
Printed logics is based on the same technology as the state of the art for production of multi-pad electrodes

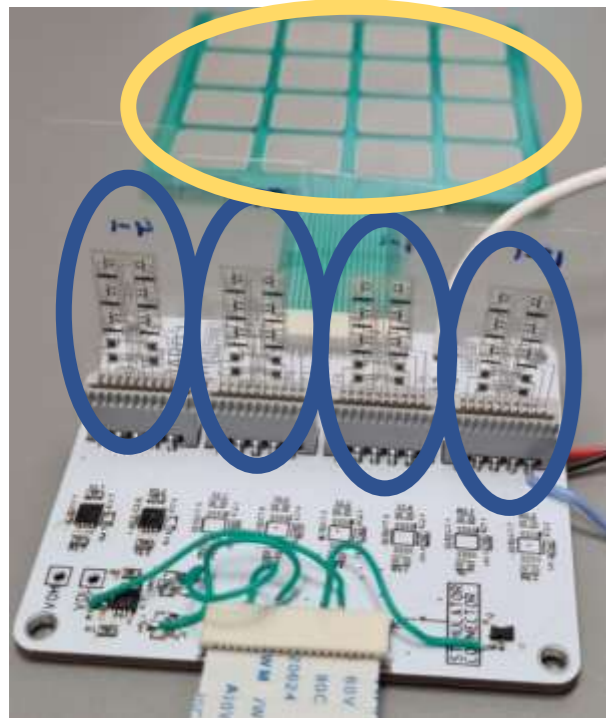


WEARPLEX stimulation demonstrators

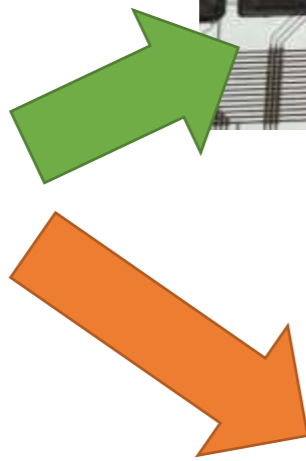
1.) 8bit shift register based TENS electrode



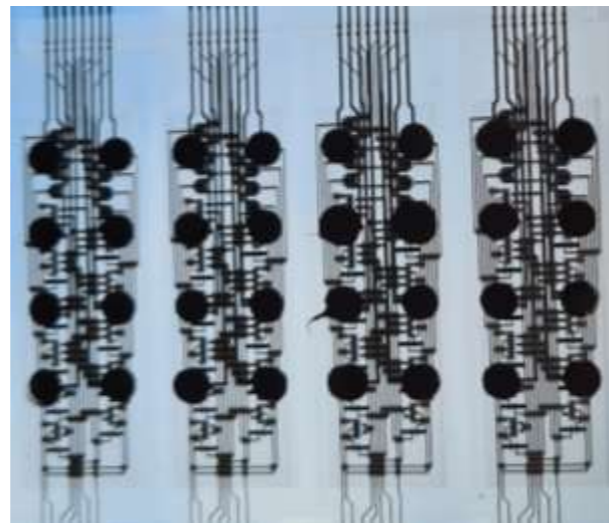
BETA SYSTEM



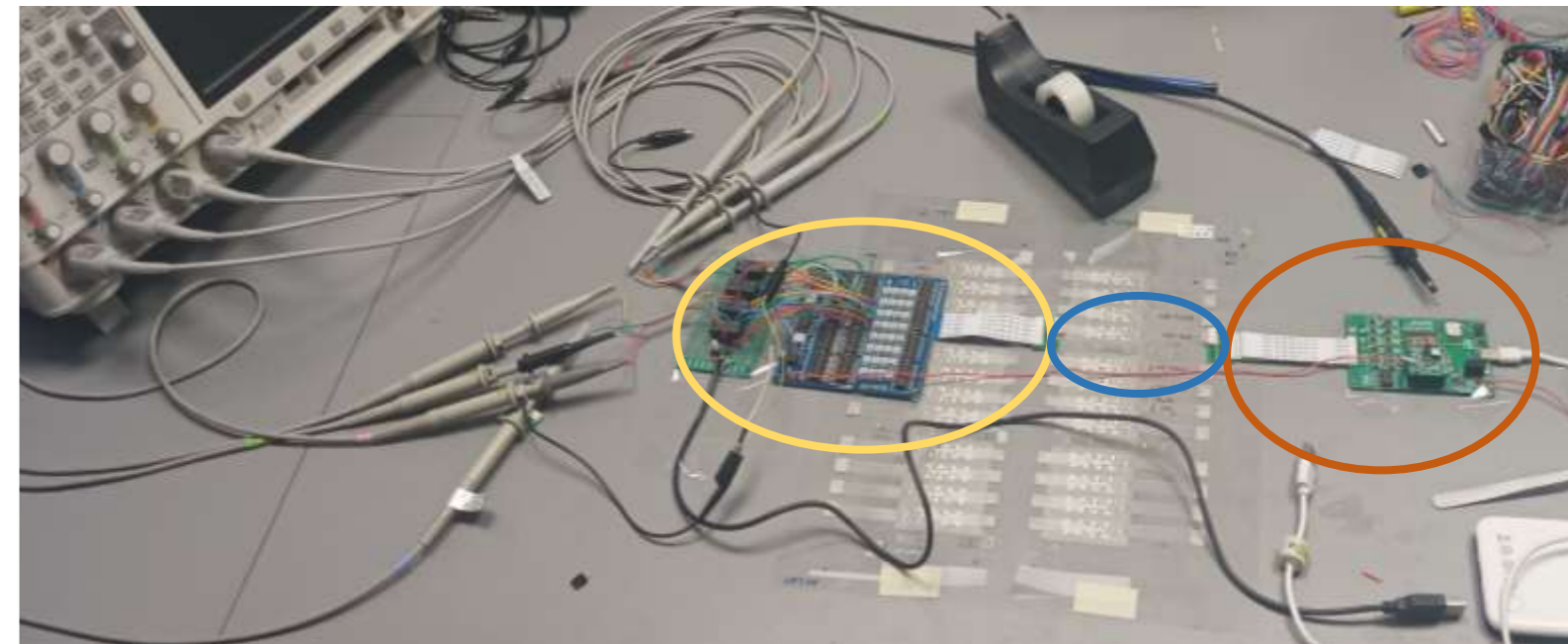
4 x OECT 2-4 DEMUX
16-pad stimulation electrode



2.) 3-8 demux based electrotactile electrode



GAMMA TESTBED FOR STIMULATION



16 channel HMEC WEARPLEX ELECTRODE STIMULATION electronics